

SLIDER24+

IN-LINE SLIDING PATIO DOOR

FRAMING

- dedicated multi-chamber sash and outer frame
- Part M compliant low threshold

SEALS/GASKETS

- main profiles supplied with high-performance integral multifunctional seal/gasket and wool pile

REINFORCING

- galvanised steel profiles optimised for strength and rigidity

DOOR STYLES

- two, three and four pane door styles
- dedicated midrail for letterplates

FABRICATION

- fully welded and mechanically joined frame
- mechanically joined midrail options
- mechanically joined low threshold

GLAZING

- choice of two glazing bead styles
- glazing options from 4mm up to 36mm thickness

ANCILLARIES

- frame extensions and cills
- lightweight and structural coupling members
- clip-fit frame trims
- PVC and aluminium interlock options

HARDWARE

- multi (12) point locking
- Document Q and M compliant
- anti-lift device

SECURITY

- Kitemarked approved to PAS 24 enhanced security standard

THERMAL INSULATION

- Ud 0.98W/m²k
- DSER E to A++

DESIGN

- market leading weather performance
- internally sliding sashes
- complements classical and contemporary architecture
- white colour RAL 9016
- many foil colour options available from stock
- Decoroc® colours and more foils on request

SIZE LIMITATION AND PERFORMANCE CHARACTERISTICS

SLIDER24+ PVC-U DOOR SYSTEM

DOOR TYPE	LENGTH (MM) - MAXIMUM	HEIGHT (MM) - MAXIMUM (INCLUDING CILL)	AIR PERMEABILITY CLASSIFICATION	WATER TIGHTNESS CLASSIFICATION	RESISTANCE TO WIND CLASSIFICATION	EXPOSURE CATEGORY AS GIVEN IN TABLE 1 OF BS 6375-1
-----------	--------------------------	--	------------------------------------	-----------------------------------	---	--

SASH DIMENSIONS FOR DOORS WITH APPROVED OUTER FRAME AND SASH PROFILES

2-PANE XO, OX TYPES	2700	2250	4	8A	B3	1200
3-PANE OXO, XOO, OOX TYPES	4050	2250	4	8A	B3	1200
4-PANE OXXO TYPES	5400	2250	4	8A	B3	1200
MAXIMUM LEAF SIZE	1350	2150	-	-	-	-

"o" denotes fixed panel "x" denotes sliding panel when viewed from the outside

SLIDER24+

IN-LINE SLIDING PATIO DOOR

deceuninck

nbsPlus

riba
product
selector

nbs
BIM

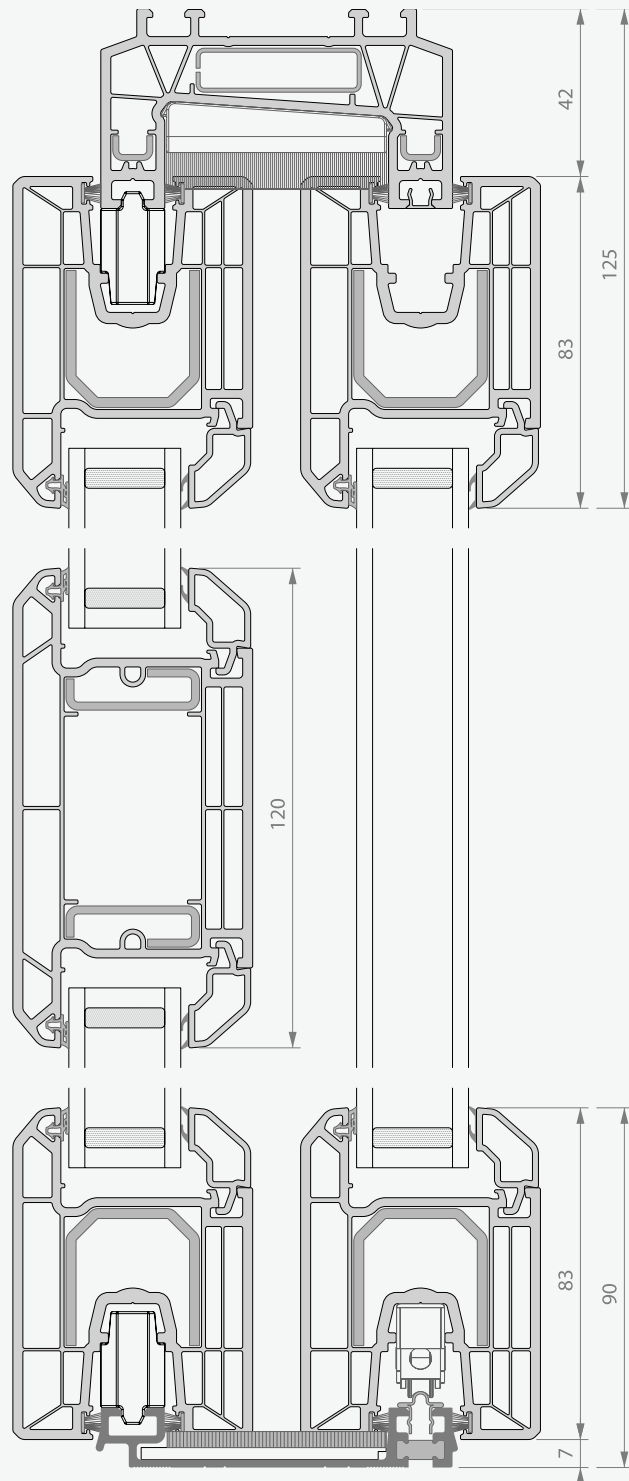
TECHNICAL AND SPECIFICATION SUPPORT

Specification Support forms an essential link between architects, specifiers and approved Deceuninck fabricators and installers. The team provide informed guidance on the use of products, samples, drawings and specifications with contact maintained throughout each stage of a contract to completion.

Deceuninck can offer a technical and design service for suitable schemes embracing:



- product selection and application
- technical review to confirm compliance with Building Regulations
- advice on exposure conditions
- wind load calculations
- framing construction and design solutions
- generation of scheme drawings for tendering purposes
- technical specification
- window samples for client/authority approval



deceuninck

SLIDER24+
IN-LINE SLIDING PATIO DOOR



SLIDER24+

IN-LINE SLIDING PATIO DOOR

deceuninck

MAXIMUM SASH DIMENSIONS

